

*Easy to clean, corrosion-resistant ABS/poly tops!
Lifetime cabinet and liner warranty!*



Model SG1475-60

Poly ice access door assembly

- No sharp corners
- Saves aisle space – only 8" (204mm) deep
- Removes with only 4 screws, no sealant



*Safely loosen congealed ice through SMARTGATE with optional ice paddle accessory. Released ice remains **behind** SMARTGATE.*

*Only **SMARTGATE** positively controls ice flow into access door area for increased safety, reduced spillage.*

Ice storage bins with industry-exclusive SMARTGATE for use with all major commercial icemakers. Stainless exterior includes stainless back and bottom. All bins include corrosion-resistant ABS/poly top custom cut for icemaker(s), 82 oz plastic ice scoop, and 6" (153mm) stainless steel adjustable legs.

Wide range of sizes to meet varied needs

- Twelve models in widths from 30" to 60" (762 to 1524mm) and capacities from 460 to 1660 lbs (209 to 753kg)

Industry-exclusive inner SMARTGATE delivers more safety, less spillage

- First ice in is first ice out
- Positively controls ice flow into access door area for easy removal with either scoop or shovel
- Allows loosening of congealed ice without lifting gate for increased safety and reduced spillage
- Locks open in 3 positions
- Returns easily to full down position even when bin is full

Durable polyethylene lift doors with PowerHinge™

- Doors stay safely open – no door catches
- No sharp corners to injure workers
- Molded-in gasket never needs replacing
- Easy one-hand open and close

Poly ice access door assembly

- Withstands heavy abuse in critical area
- Eliminates rusting and corrosion

Non-corroding poly liners, top and trim

- Eliminates pitting and staining from released chlorine
- Makes cleaning easy

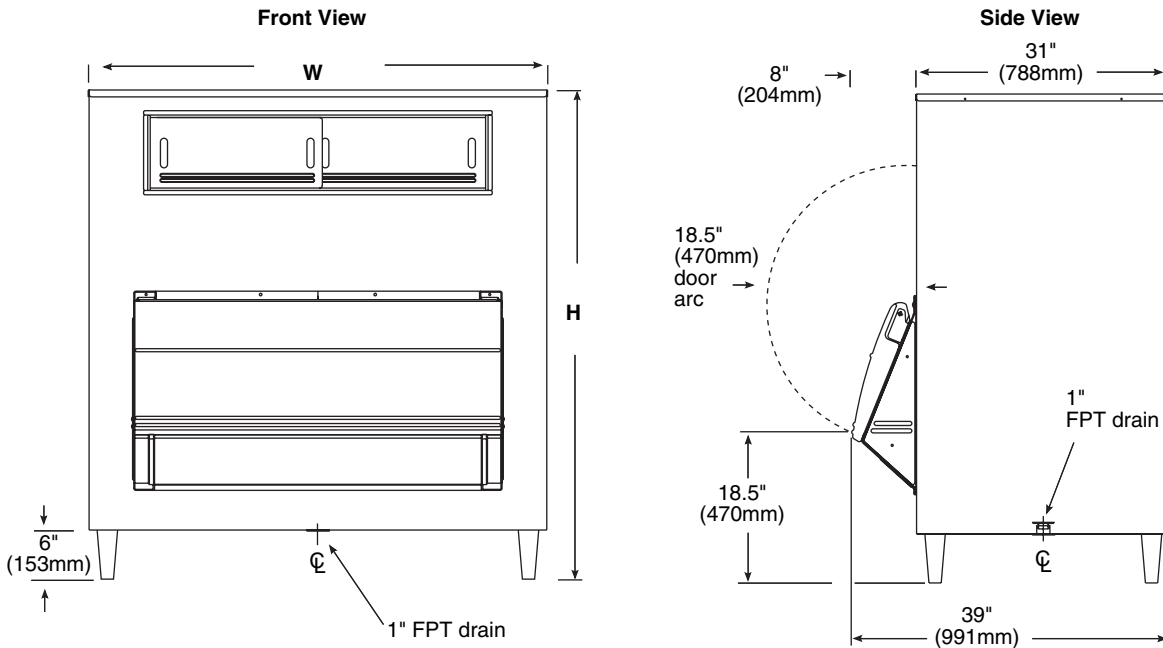
Other quality construction features

- Heavy-duty welded construction
- Non-CFC foamed-in-place insulation
- Translucent double-wall poly windows

Optional accessories (refer to form# 3435)

- SmartCART 75 with 3 Totes
- Ice paddle and hanging bracket (item# ABICEPADDL46)
- Plastic shovel (item# ABICSHOVEL)
- Drain pan (required for some Vogt and Howe icemakers; consult factory)
- 6" (153mm) stainless legs with flanged feet (item# ABSPECLEG3)
- 10" (254mm) stainless legs (item# 00151647)
- Centered bin partition
- Flexi-Tops™ for 48" (1220mm) and 60" (1524mm) wide models (refer to Form# 3435)

All ice storage products include top cut to accommodate specified icemaker. Orders can not be processed without complete manufacturer name and model number. Please specify at time of order. If bins are being ordered for stock, refer to form# 3435.



General Notes

Follett recommends installation of a floor drain with grate with all ice storage bins.

Model Number	Cubic Volume cu ft (m)	Max. Bin Capacity lb (kg) ¹	Width (W) in (mm)	Height (H) with Legs in (mm) ⁵	Req'd Door Access in (mm) ^{3,4}	Approx. Ship Weight lb (kg) ²
SG500S-30	14.8 (.41)	460 (209)	30 (762)	44.5 (1131)	31 (788)	177 (80)
SG700S-30	21.7 (.61)	680 (308)	30 (762)	60.0 (1524)	31 (788)	207 (94)
SG860S-48	19.7 (.56)	860 (390)	48 (1220)	46.5 (1181)	32 (813)	275 (125)
SG1010S-48	31.9 (.90)	1000 (454)	48 (1220)	56.0 (1423)	32 (813)	276 (126)
SG1175S-48	37.6 (1.06)	1185 (538)	48 (1220)	62.0 (1575)	32 (813)	287 (131)
SG1300S-48	41.9 (1.19)	1320 (599)	48 (1220)	65.0 (1651)	32 (813)	300 (137)
SG1160S-56	37.3 (1.06)	1170 (531)	56 (1423)	56.0 (1423)	32 (813)	293 (133)
SG1350S-56	43.2 (1.22)	1360 (617)	56 (1423)	62.0 (1575)	32 (813)	322 (147)
SG1080S-60	34.3 (.97)	1080 (490)	60 (1524)	46.5 (1181)	32 (813)	202 (92)
SG1325S-60	42.0 (1.19)	1325 (601)	60 (1524)	56.0 (1423)	32 (813)	320 (146)
SG1475S-60	47.4 (1.34)	1490 (676)	60 (1524)	62.0 (1575)	32 (813)	330 (150)
SG1650S-60	52.8 (1.50)	1660 (753)	60 (1524)	65.0 (1651)	32 (813)	350 (159)

Notes:

- 1 Computed on cubic volume of bin. Does not reflect cart capacity or voids that can occur due to pyramiding.
- 2 Add 2" (51mm) to depth and 10 lbs (4.5kg) to shipping weight when drain pan accessory used.
- 3 Door assemblies remove easily (4 screws, no sealant) if required for installation access.
- 4 Required clearance for installation access through doors (may require removal of door assembly).
- 5 Special top required for icemakers weighing more than 1000 lbs (454kg). Add 2.125" (54mm) to height. Contact factory.

Warranty

- The cabinet exterior, including top and trim, and the interior liner will be free of corrosion for the useful life of the product.
- Doors, inspection windows, ice gates, and all other integral components are covered against defects in material or workmanship for five years from date of installation. Installation date shall not exceed 90 days from date of shipment.
- Ice transport carts, scoops, paddles, shovels, rakes and other accessories are covered against defects in material or workmanship for two years from date of installation. Installation date shall not exceed 90 days from date of shipment.

SMARTGATE is a registered trademark of Follett Corporation, registered in the US.
Follett reserves the right to change specifications at any time without obligation. Certifications may vary depending on country of origin.