



MODEL KPT-D
RESIDENTIAL
HOT WATER
BASEBOARD





RUGGED, EFFICIENT AND RELIABLE RESIDENTIAL BASEBOARD THAT'S SUPERIOR IN EVERY WAY!

YOU CAN'T FIND A BETTER BASEBOARD

Panel-Track (KPT) baseboard is ideal for any type of residential or light commercial installation. With its rugged front panel, efficient operation, superior design and ease of installation, Panel-Track is the best baseboard in the industry! Today's Panel-Track is the culmination of more than 40 years of research and development by Embassy's heating specialists and engineers and is clearly the baseboard of choice by today's heating professionals.



HEAVY-DUTY FRONT PANEL

You can't find a more rugged piece of residential baseboard than Embassy's Panel-Track, thanks to our new heavy gauge front panel. And unlike on some other baseboards, you won't find dimples on our front panels because we've added a packing insert between the cover and the brackets.

ONE-PIECE END CAPS

Contemporary deep-drawn seamless end caps without unsightly weld spots.

ENHANCED AESTHETICS

Panel-Track has a modern, streamlined design. The high-luster white finish blends beautifully with traditional and contemporary colors.

SNAP-ON DAMPER

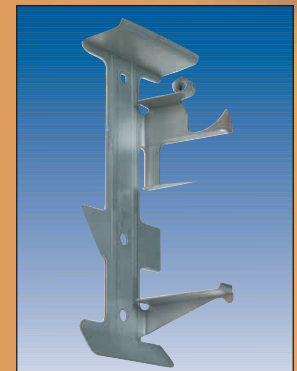
Finger-touch snap-on damper opens and closes with ease, without the use of hinges which can bind or loosen with age.

RAILS ENSURE QUIET OPERATION

Continuous rails of tough polypropylene line the four corners of the heating element for ease of handling. The rails also eliminate all metal-to-metal contact, guaranteeing the ultimate in quiet, trouble-free performance, without the use of old-fashioned clips or cradles.

EASY TO INSTALL HEATING ELEMENT

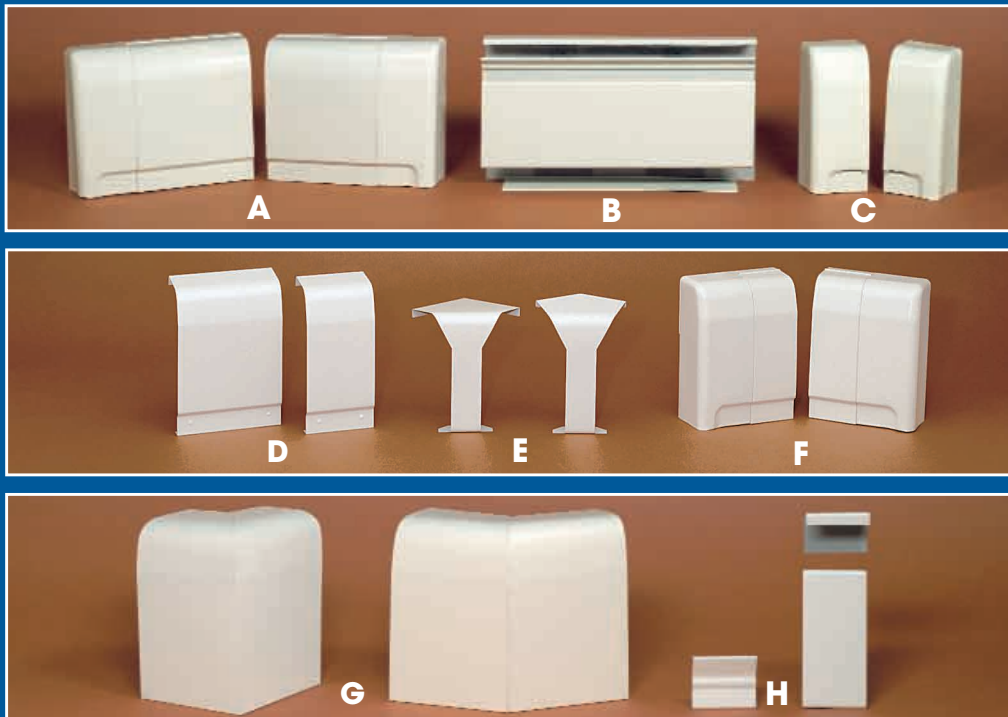
Panel-Track's square elements allow error free installation. Choose either the $\frac{3}{4}$ " element or the $\frac{1}{2}$ " element, both of which are available in two through ten foot lengths. One end of each heating element is expanded for simple end-to-end sweat connecting.



HANGER BRACKETS WITH BUILT-IN RETURN

Extra strength wide profile hanger brackets permit a copper return line to be installed right in the bracket, eliminating hard-to-use hanging hooks or wires and facilitate easy improvement or relocation along the back panel.

ACCESSORIES



- A** VALVE ENCLOSURE - 9" wide left (KVE-L) and right (KVE-R). Extra wide 6" hinged door for easy access to valve or vent. Fully telescopic.
- B** EXTENSION SETS - 7" wide (KEX-7) and 14" wide (KEX-14). Four sections (back, front, top and damper). Telescopes to fill gaps of 5½" to 12½" between baseboard panels.
- C** END CAP - 3" wide left (KCC-L) and right (KCC-R), for use at doorways and wherever a finished end is needed. 3" wide slotted left (KCCS-L) and right (KCCS-R), for through-the-wall connections. Fully telescopic.
- D** WALL JOINERS - 3" (KWJ-3) and 5" (KWJ-5). Ideal where piping goes through partitions. Fully telescopic.
- E** INSIDE CORNER - 90° (KIC-90) and 135°/45° (KIC-45). One piece snap-on for easy installation. Telescopic up to 2½" on each wall.
- F** HINGED END CAPS - 5½" wide left (KHC-L) and right (KHC-R). Ideal for semi-recessed installation. Makes removal of front panel easier. Fits flush to the floor. Fully telescopic.
- G** OUTSIDE CORNER - 90° (KOC-90) and 135°/45° (KOC-45). Use to trim corners at projecting wall. Telescopic up to 1" on each wall.
- H** SPLICER SET - 2" wide (KSP). Three piece snap-on top, front and damper joiner. Joins adjacent baseboard panels. Comes with damper joiner (KDJ-2).

SPECIFICATIONS

APPROVED RATINGS

for EMBASSY TYPE KPT-D $\frac{3}{4}$ " BASEBOARD
BTU/hr. linear foot 65° Entering Air
AVERAGE HOT WATER TEMPERATURES

GPM	lb./hr.	170°F	180°F	190°F	200°F	210°F	220°F	230°F	240°F
4	2000*	510	580	640	710	770	850	910	970
1	500	480	550	610	670	730	800	860	920

Ratings are approved under the Latest Edition of the I=B=R Testing and Rating Code for Baseboard Radiation. As allowed by this code, 15% has been added for heating effect. Ratings are based on active finned length which is 3" less than ordering length. The use of I=B=R approved ratings at 4 G.P.M. is recommended for all normal loop systems, where the water flow rate is equal to 4 G.P.M. When the flow is unknown, the I=B=R approved ratings at 1 G.P.M must be used.

LABORATORY RATINGS

for EMBASSY MODEL KVP-D $\frac{1}{2}$ " BASEBOARD
BTU/hr. linear foot 65° Entering Air
AVERAGE HOT WATER TEMPERATURES

GPM	lb./hr.	170°F	180°F	190°F	200°F	210°F	220°F	230°F	240°F
4	2000*	540	600	680	730	790	870	940	1000
1	500	510	570	640	690	750	820	890	960

Embassy heating elements are constructed of $\frac{3}{4}$ " and $\frac{1}{2}$ " nominal copper tubing, mechanically expanded to aluminum fins. Fin dimensions for both models are $2\frac{1}{8}$ "x $2\frac{1}{8}$ "x.008" (natural finish) with 60 fins per foot. Panel-Track elements have four continuous rails of polypropylene running the entire finned length of $\frac{3}{4}$ " and $\frac{1}{2}$ " models.

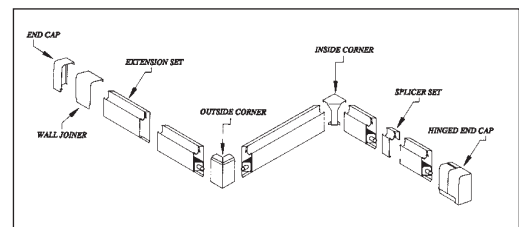
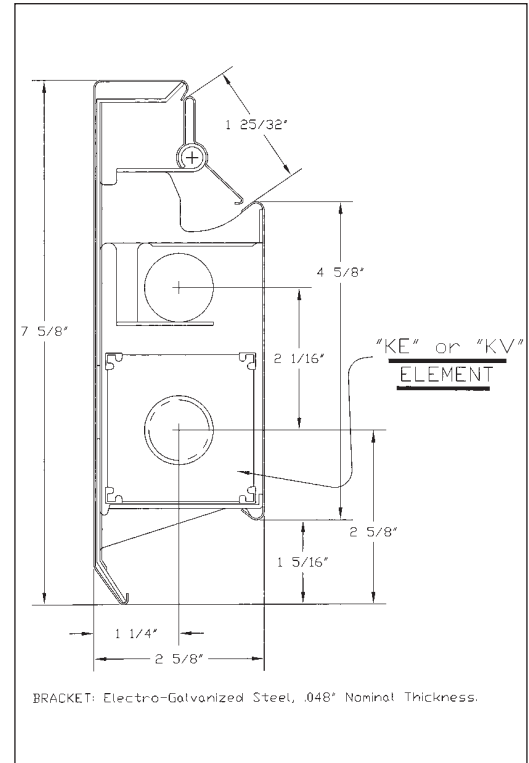
***NOTES:** the use of I=B=R Ratings at 2000 lb/hr is limited to installations where the water flow rate through the baseboard unit is equal to or greater than 2000 lb/hr. Where the flow rate through the baseboard is not known; the rating at 500 lb/hr. must be used.

FACTORS FOR DETERMINING RATINGS AT FLOW OTHER THAN STANDARD AND PRESSURE DROP VALUES

Rate of Flow GPM	1.0	1.5	2.0	2.5	3.0	3.5	4.0	4.5
Factor	1.000	1.016	1.028	1.038	1.045	1.051	1.057	1.062
Pressure Drop of $\frac{3}{4}$" Tube Ft./100 Ft.	0.39	0.80	1.31	1.92	2.67	3.50	4.38	5.42

Rate of Flow GPM	5.0	6.0
Factor	1.067	1.074
Pressure Drop of $\frac{3}{4}$" Tube Ft./100 Ft.	6.46	8.83

NOTE: If the calculated water flow rate through a baseboard unit in a completely designed hot water heating system is greater than the standard flow rate (1 GPM), the rating of that unit may be increased by multiplying the standard I=B=R Rating at 1 GPM by the factor shown for the calculated flow rate.



LIMITED WARRANTY - Embassy Industries, Inc. warrants all PANEL-TRACK baseboard to be free of defects in material and workmanship for a period of one (1) year from date of shipment. Embassy reserves the right to change designs or materials without prior notice as it may deem necessary. Liability under this written warranty and under implied warranties is limited to the repair or replacement, without charge, at Embassy's option of any defective baseboard or part thereof for the original user only, and only if the defective baseboard or part is returned to Embassy Industries, Inc. at the address indicated on the opposite side of this page. Attn., Consumer Service Department, freight prepaid, within such one (1) year period. This warranty is void if the baseboard has been improperly installed or repaired or damaged through misuse. THE FOREGOING WARRANTY IS IN LIEU OF ALL OTHER EXPRESS WARRANTIES. ALL IMPLIED WARRANTIES, INCLUDING DESCRIPTION, MERCHANTABILITY AND FITNESS FOR PURPOSE, ARE LIMITED TO THE TERM OF THIS WRITTEN WARRANTY. IN NO EVENT SHALL EMBASSY BE LIABLE FOR INCIDENTAL OR CONSEQUENTIAL DAMAGES. This warranty gives you specific legal rights, and may vary from state to state.

EMBASSY INDUSTRIES
Inc.
A subsidiary of P&F Industries

300 SMITH STREET
FARMINGDALE, NEW YORK 11735
(631) 694-1800 • FAX (631) 694-1832
<http://www.embassyind.com>

DISTRIBUTED BY: