

Manitowoc Marine Model Ice Cube Machine



Manitowoc



Series 850 Ice Machine
MB-3044 Bin

Marine Bins		
Model	Dimension	Storage Capacity
MB-2238	22" W x 34" D x 38" H	243 lbs.
MB-3038	30" W x 34" D x 38" H	332 lbs.
MB-3044	30" W x 34" D x 44" H	397 lbs.
MB-4844	48" W x 34" D x 44" H	672 lbs.
MB-5244	52" W x 34" D x 44" H	733 lbs.

Marine Ice Machine Features

Five ice machine units available with Special Marine Specifications. Choose Series 600, 850, 1000, 1400 or 1800 water-cooled models. Ice production from 650 to 1,870 pounds per day.

- Water-proof control box housing
- Compressor ground wire
- Rugged, corrosion-free base
- Patented cleaning and sanitizing technology
- R-404A CFC-free refrigerant
- Cupra-nickel condenser adds protection from corrosive water elements
- Warranty
 - 5-year parts-and-labor on evaporator
 - 5-year parts and 3-year labor on compressor
 - 3-year parts-and-labor on all other components



Stainless Steel Bulkhead

- Stainless Steel
 - Top Cover
 - Cabinet Panels
 - Bulkhead
 - Frame
 - Brackets
 - Fasteners

Marine Ice Bin Features

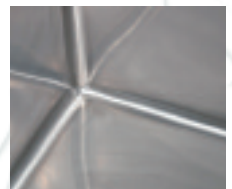
- Outer cabinet – 18 ga 304 stainless
- Inner cabinet – 18 ga 304 stainless
- Radius (cove) corners in liner
- Stainless steel flanged 6" legs
- Stainless steel ice scoop on stainless cable
- Warranty
 - 1-year material and workmanship



Bin leg



Ice scoop and chain



Bin cove corners



ISO 9001:2000
Quality System
Certified

America's #1 Selling Ice Machine

Ice Cube & Flake Machines • Ice Storage Bins • Ice Dispensers

Manitowoc
Foodservice Group

Manitowoc Marine Ice Cube Machine

Series 600	
Model	Cube Size
SD-0603WMM	dice
SY-0605WMM	half-dice
21.50" H x 30.00" W x 24.50" D	

Order ice storage bin separately.

Note: Placing S-600 ice machine on non-Manitowoc bin or "F" model Manitowoc bin, requires installation of ice deflector K-00347.

Electric: 208-230/60/1 standard. (230/50/1 also available.)

Min. circuit ampacity: 7.9

Max. fuse size: 15 amps

BTU Per Hour: 9,000 (average) 13,900 (peak)

Compressor: Nominal rating: 1 HP

Series 850	
Model	Cube Size
SD-0853WMM	dice
SY-0855WMM	half-dice
26.50" H x 30.00" W x 24.50" D	

Order ice storage bin separately.

To order 3 phase add "3" suffix to model # (SR-0851WMM3).

Note: Placing S-850 ice machine on non-Manitowoc bin or "F" model Manitowoc bin, requires installation of ice deflector K-00347.

Electric: 208-230/60/1 standard. (230/50/1 and 208-230/60/3 also available.)

Min. circuit ampacity: 10.3 - 1ph, 6.8 - 3ph

Max. fuse size: 20 amps - 1ph
15 amps - 3ph

BTU Per Hour: 12,000 (average) 18,000 (peak)

Compressor: Nominal rating: 1-1/2 HP

Series 1000	
Model	Cube Size
SD-1003WMM	dice
SY-1005WMM	half-dice
29.50" H x 30.00" W x 24.50" D	

Order ice storage bin separately.

To order 3 phase add "3" suffix to model # (SR-1001WMM3).

Note: Placing S-1000 ice machine on non-Manitowoc bin or "F" model Manitowoc bin, requires installation of ice deflector K-00347.

Electric: 208-230/60/1 standard. (230/50/1 and 208-230/60/3 also available.)

Min. circuit ampacity: 12.6 - 1ph, 8.9 - 3ph

Max. fuse size: 20 amps - 1ph
15 amps - 3ph

BTU Per Hour: 16,000 (average) 22,000 (peak)

Compressor: Nominal rating: 1-3/4 HP

Series 1400	
Model	Cube Size
SD-1403WMM	dice
SY-1405WMM	half-dice
26.50" H x 48.00" W x 24.50" D	

Order ice storage bin separately.

To order 3 phase add "3" suffix to model # (SR-1301WMM3).

Note: Placing S-1400 ice machine on non-Manitowoc bin or "F" model Manitowoc bin, requires installation of ice deflector K-00349.

Electric: 208-230/60/1 standard. (230/50/1 and 208-230/60/3 also available.)

Min. circuit ampacity: 16.1 - 1ph, 11.8 - 3ph

Max. fuse size: 30 amps - 1ph
20 amps - 3ph

BTU Per Hour: 19,000 (average) 28,000 (peak)

Compressor: Nominal rating: 2 HP

Series 1800	
Model	Cube Size
SD-1803WMM	dice
SY-1805WMM	half-dice
29.50" H x 48.00" W x 24.50" D	

Order ice storage bin separately.

To order 3 phase add "3" suffix to model # (SR-1801WMM3).

Note: Placing S-1800 ice machine on non-Manitowoc bin or "F" model Manitowoc bin, requires installation of ice deflector K-00349.

Electric: 208-230/60/1 standard. (230/50/1 and 208-230/60/3 also available.)

Min. circuit ampacity: 22.1 - 1ph, 12.0 - 3ph

Max. fuse size: 40 amps - 1ph
20 amps - 3ph

BTU Per Hour: 24,000 (average) 36,000 (peak)

Compressor: Nominal rating: 3 HP

WATER COOLED UNIT — 24-HOUR PRODUCTION †												lbs. kgs.			
SERIES 600			SERIES 850			SERIES 1000			SERIES 1400			SERIES 1800			
air temp	water temp		air temp	water temp		air temp	water temp		air temp	water temp		air temp	water temp		
°F	50°	70°	90°	°F	50°	70°	90°	°F	50°	70°	90°	°F	50°	70°	90°
°C	10°	21°	32°	°C	10°	21°	32°	°C	10°	21°	32°	°C	10°	21°	32°
70°	650	630	590	70°	880	810	730	70°	1,000	930	830	70°	1,380	1,280	1,130
21°	295	286	268	21°	399	367	331	21°	454	422	376	21°	627	582	514
80°	640	620	580	80°	870	800	720	80°	990	920	820	80°	1,380	1,280	1,120
27°	290	281	263	27°	395	363	327	27°	449	417	372	27°	627	582	509
90°	630	610	580	90°	860	790	710	90°	980	910	810	90°	1,380	1,300	1,100
32°	286	277	263	32°	390	358	322	32°	445	413	367	32°	627	591	509

†Production for Dice and Half Dice cubes.

AuCS®SI Accessory



Automatic Cleaning System purchased factory installed in the machine or as an option for field retrofit.

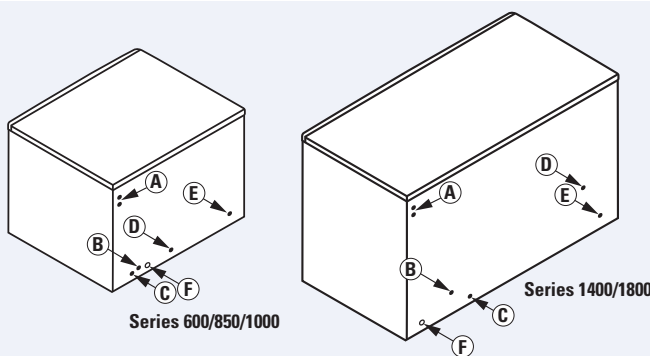
2 Cube Sizes Available

Half Dice
3/8" x 1 1/8" x 7/8"
(.95 x 2.86 x 2.22 cm)

Dice
7/8" x 7/8" x 7/8"
(2.22 x 2.22 x 2.22 cm)

Operating Limits

- Ambient Temperature Range: 35°-110°F (4.4°-43.3°C)
- Water Temperature Range: 35°-90°F (4.4°-32.2°C)
- Water Pressure Ice Maker Water In: Min. 20 psi (137.9 kPa)
Max. 80 psi (551.1 kPa)
- Condenser Inlet Water In: Min. 20 psi (137.9 kPa)
Max. 150 psi (1,034.2 kPa)



- (A) Electrical Entrance (2) Options
- (B) 3/8" (0,95 cm) F.P.T. Ice Making Water Inlet
- (C) 1/2" (1,27 cm) F.P.T. Ice Making Water Drain
- (D) 1/2" (1,27 cm) F.P.T. Water Condenser Outlet
- (E) 3/8" (0,95 cm) F.P.T. Water Condenser Inlet
- (F) 1/2" (1,27 cm) Auxiliary Base Drain Socket

Installation Note: Minimum 2-3/4" clearance at back.

NSF c UL US LISTED D ISO 9001:2000 Quality System Certified

FSC Mixed Sources
Product group from well-managed forests, controlled sources and recycled wood or fiber
www.fsc.org Cert no. SW-COC-1886
© 1996 Forest Stewardship Council



We are committed to protecting the environment and its resources. For up-to-date product data always view an electronic version on our web site.



Look for the EnergyMizer™ mark and you'll know you're getting the most from every energy dollar spent on foodservice equipment.
www.energymizer.com



MANITOWOC ICE, INC.
2110 South 26th Street, P.O. Box 1720
Manitowoc, WI 54221-1720, USA
Ph: 920-682-0161 • Fax: 920-683-7589
Visit us online at www.manitowocice.com



©2008 Manitowoc 4/08 Continuing product improvement may necessitate changes of specifications without notice. 3162A